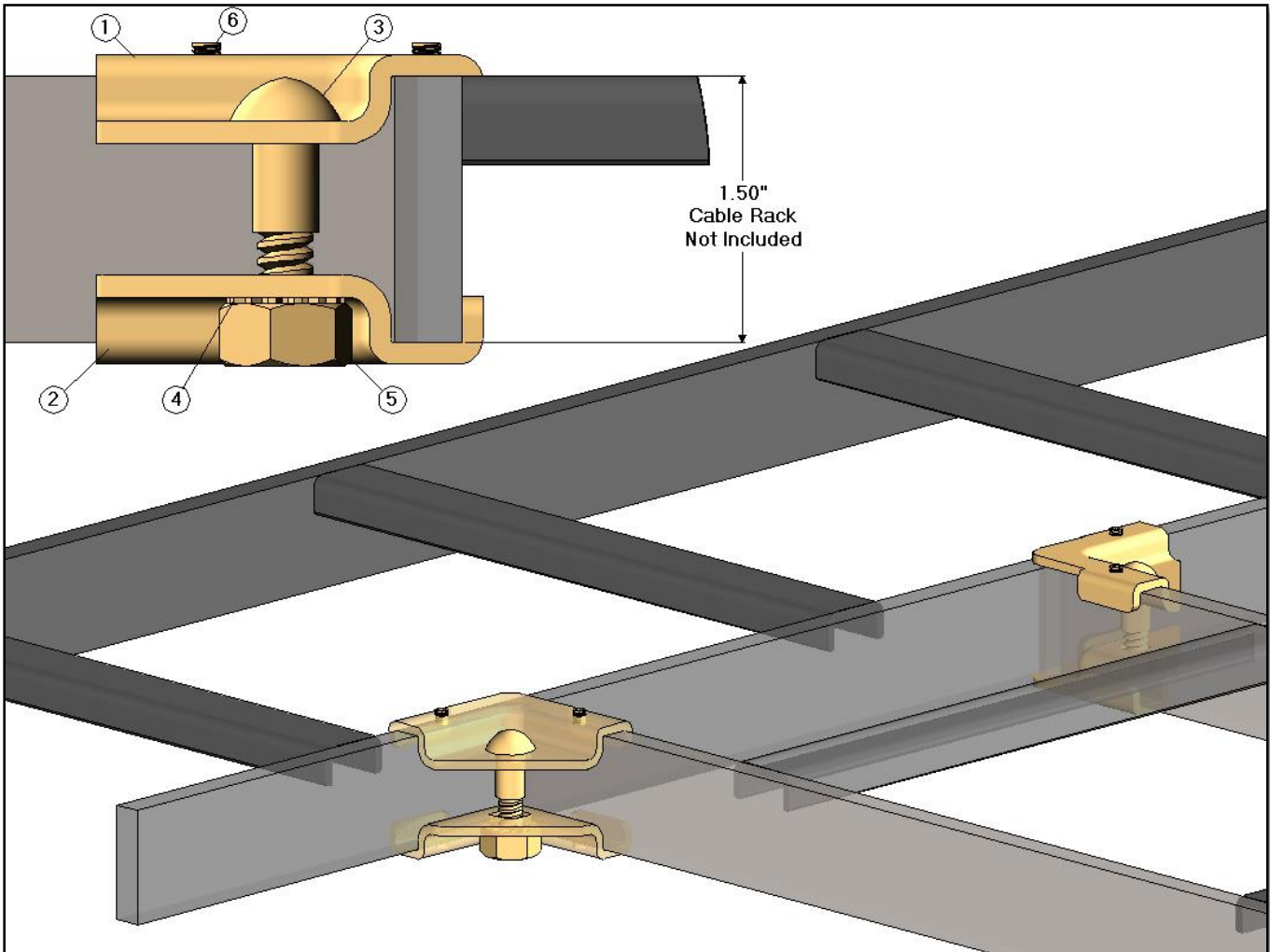




CC12CN Continuity Corner Clamp Kit 1.50" Cable Rack - Pair

CC12CN - Continuity Corner Clamp Kit - 1.50" Cable Rack - Pair



CC12CN - Continuity Corner Clamp Kit 1.50" Cable Rack - Pair

Item	CSF P/N#	QTY	Description
1	CCCN	2	Continuity Corner Clamp Bracket
2	CC	2	Corner Clamp Bracket
3	CB171	2	3/8-16 Carriage Bolt
4	LWE156	2	3/8" External Tooth Lock Washer
5	HN146	2	3/8-16 Hex Nut
6	SS0303	4	10-32 Socket Set Screw

Notes :

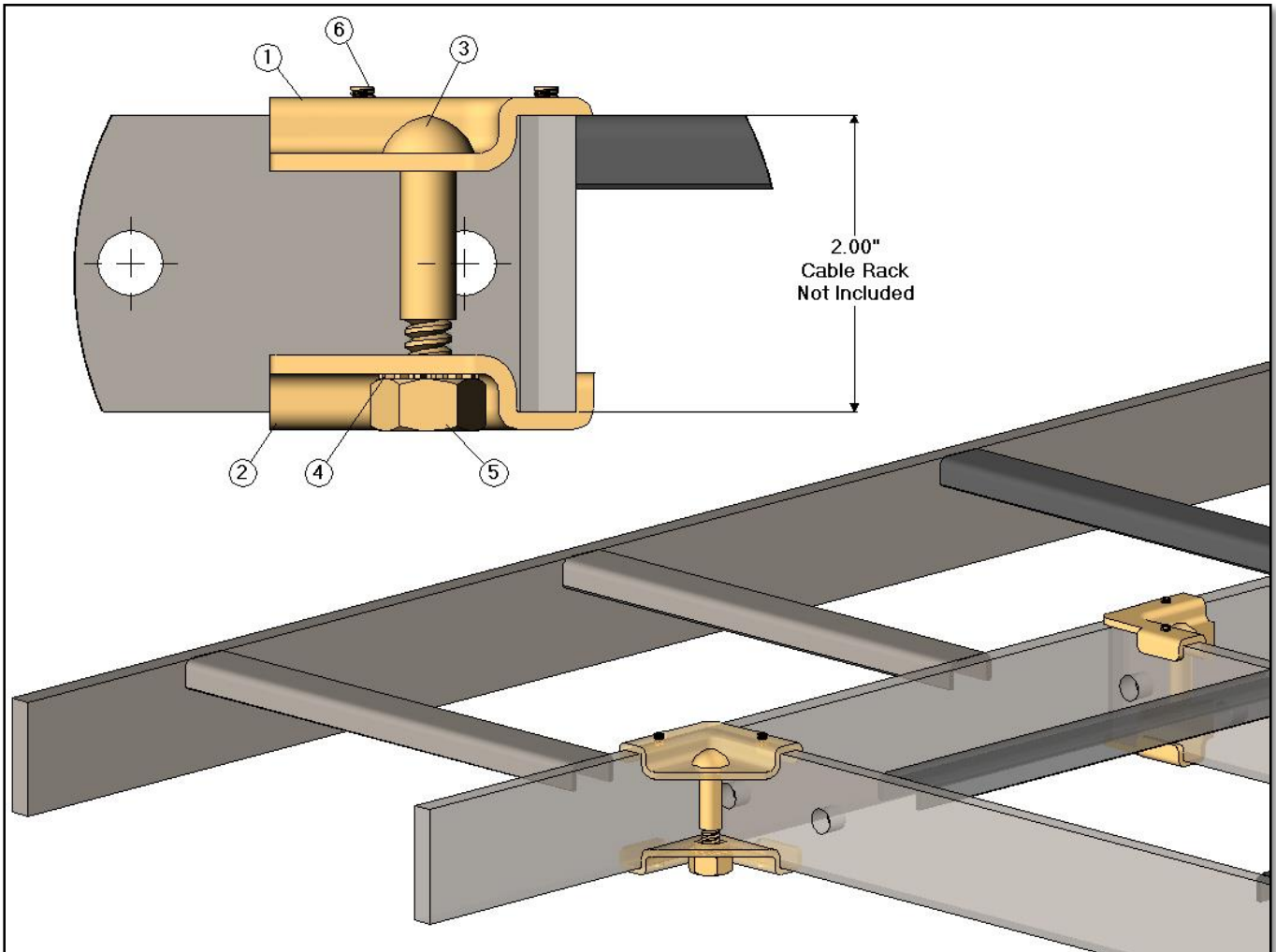
- Corner Clamps fit Tube/ Bar and Channel Stringer
- Cable Rack Not Included in kit.
- Hardware finish is zinc yellow.

Specifications subject to change. Please contact CSF Customer Service for more information.



CC22CN Continuity Corner Clamp Kit 2.00" Cable Rack - Pair

CC22CN - Continuity Corner Clamp Kit - 2.00" Cable Rack - Pair



CC22CN Continuity Corner Clamp Kit 2.00" Cable Rack - Pair

Item	CSF P/N#	QTY	Description
1	CCCN	2	Continuity Corner Clamp Bracket
2	CC	2	Corner Clamp Bracket
3	CB170	2	3/8-16 Carriage Bolt
4	LWE156	2	3/8" External Tooth Lock Washer
5	HN146	2	3/8-16 Hex Nut
6	SS0303	4	10-32 Socket Set Screw

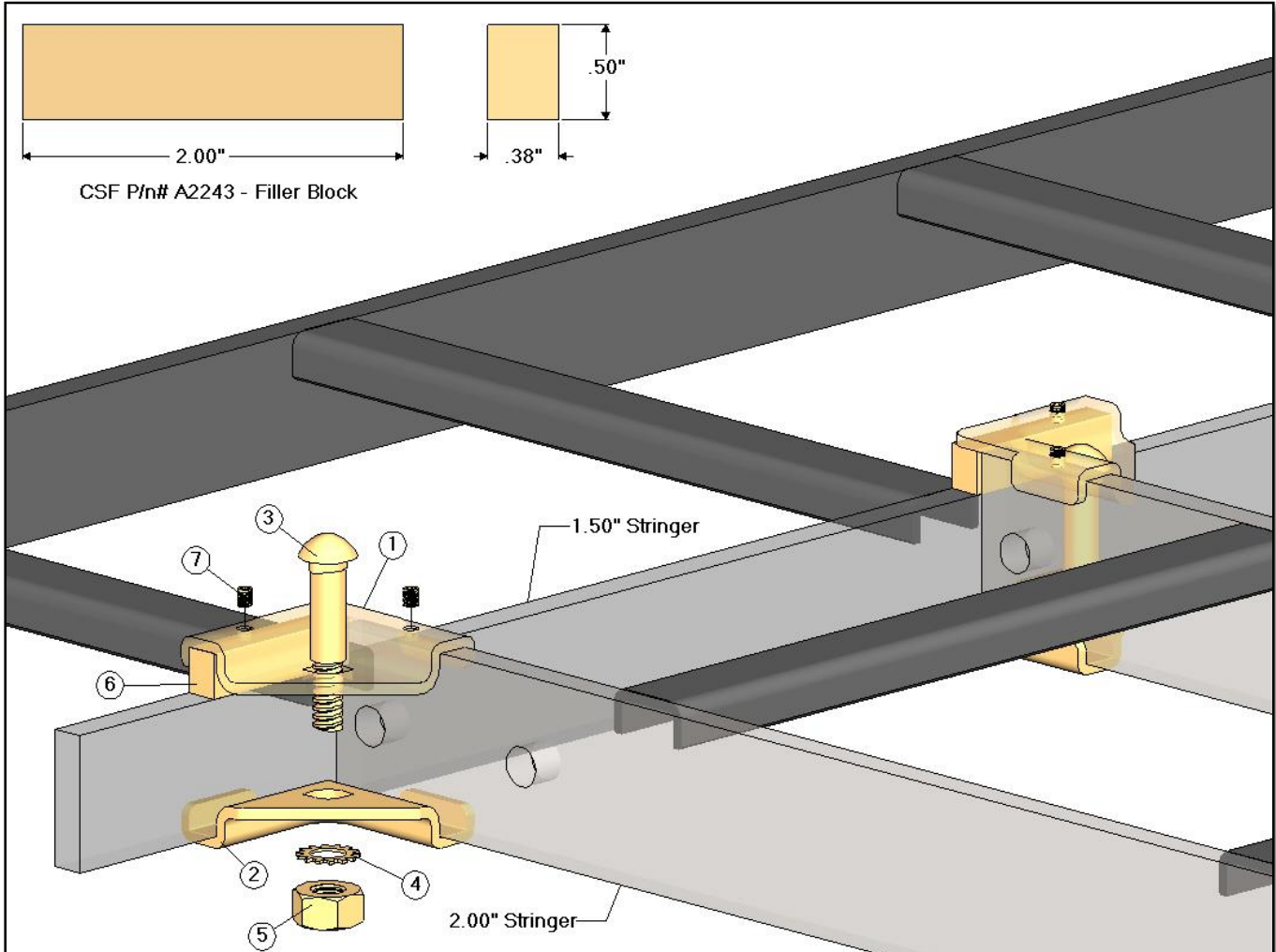
Notes :

- Corner Clamps fit Tube/ Bar and Channel Stringer.
- Cable Rack - Not Included
- Hardware finish is zinc yellow.

Specifications subject to change. Please contact CSF Customer Service for more information.



CC22DWCN - Continuity Corner Clamp Kit - 2.00" Cable Rack to 1.50" Cable Rack - Pair



CC22DWCN - Continuity Corner Clamp Kit - Pair
2.00" Cable Rack to 1.50" Cable Rack

Item	CSF P/N#	QTY	Description
1	CCCN	2	Continuity Corner Clamp Bracket
2	CC	2	Corner Clamp Bracket
3	CB170	2	3/8-16 Carriage Bolt
4	LWE156	2	3/8" External Tooth Lock Washer
5	HN146	2	3/8-16 Hex Nut
6	A2243	2	Filler Block
7	SS0303	4	#10-32 Socket Set Screw

Notes :

- Corner Clamps fit Tube/ Bar and Channel Stringer
- Cable Rack - Not Included.
- Hardware finish is zinc yellow.

Specifications subject to change. Please contact CSF Customer Service for more information.